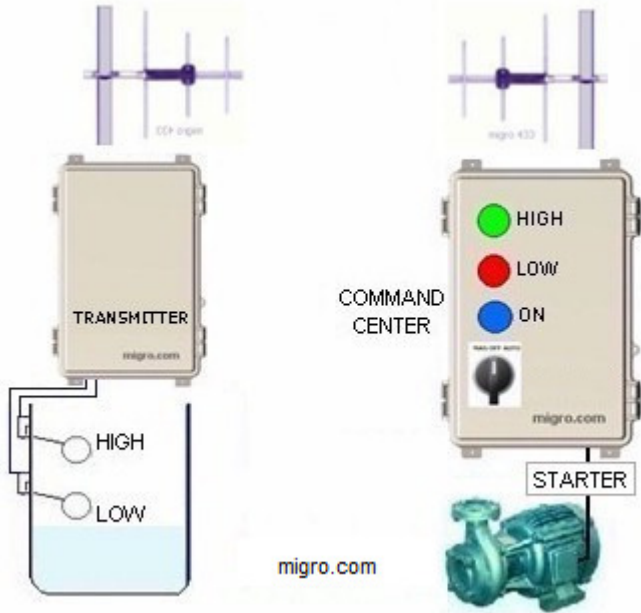


# Wireless Command System, Control & Monitoring 938501



## PERFORMANCE:

- 5 Miles ( 8 km ) line of sight,
- Optional Extended range 16km
- Continuous carrier supervision

## OPERATION:

- Command operation
- Manual or Automatic

### Manual position:

pump manually controlled by the operator

### Automatic position:

the tank level sensor provides the low or high status to start or stop the pump

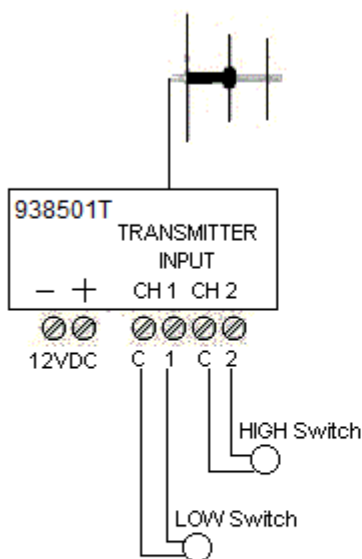
### Monitoring:

- Blue light indicates the remote pump status
- Red light indicates the tank level is low
- Green light indicates the tank level is high

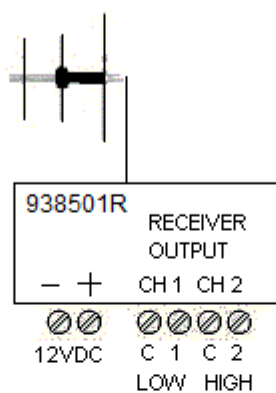
## SPECIFICATIONS:

- Operation 154 or 433 MHz license free industrial ISM band
- Compliance with FCC CFR part 15.247, Power 15.249 50mV/m @ 3m
- Weatherproof NEMA4 IP65 ABS Plastic enclosure
- Dimensions: each 12 x 10 x 6 in. ( 304 x 254 x 152 mm )
- **INPUT:** N/O Normally Open, digital dry contact • **OUTPUT:** Relay contact 5A N/O 240VAC Class 2 Pilot Duty
- Operating Voltage: 12VDC, • Operating Current: Standby 50 mA, Transmission 2000 mA (2 Seconds)

Remote Transmitter



Command Center



migro command center

