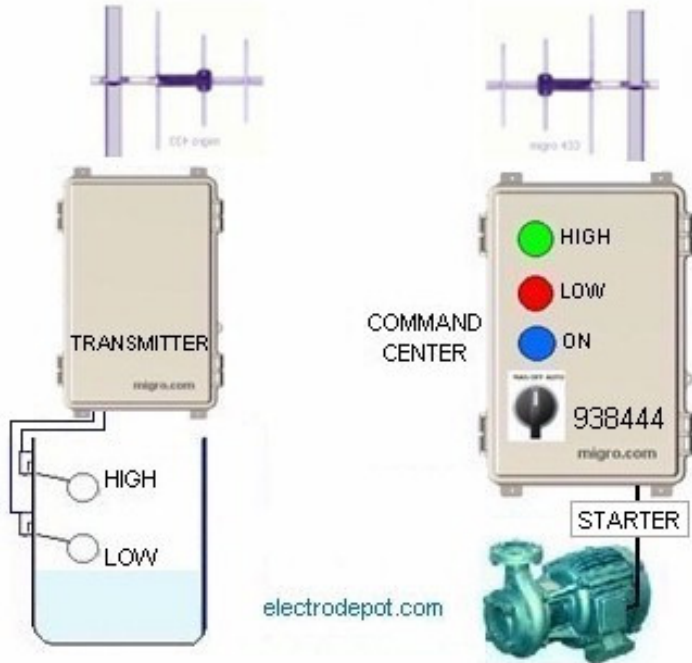


98444 Wireless Command System, Control & Monitoring



PERFORMANCE:

- 2 Miles (2 km) line of sight,
- 2000 feet (600m) partially obstructed
- Continuous carrier supervision

OPERATION:

- Command operation
- Manual or Automatic

Manual position: pump manually controlled by the operator

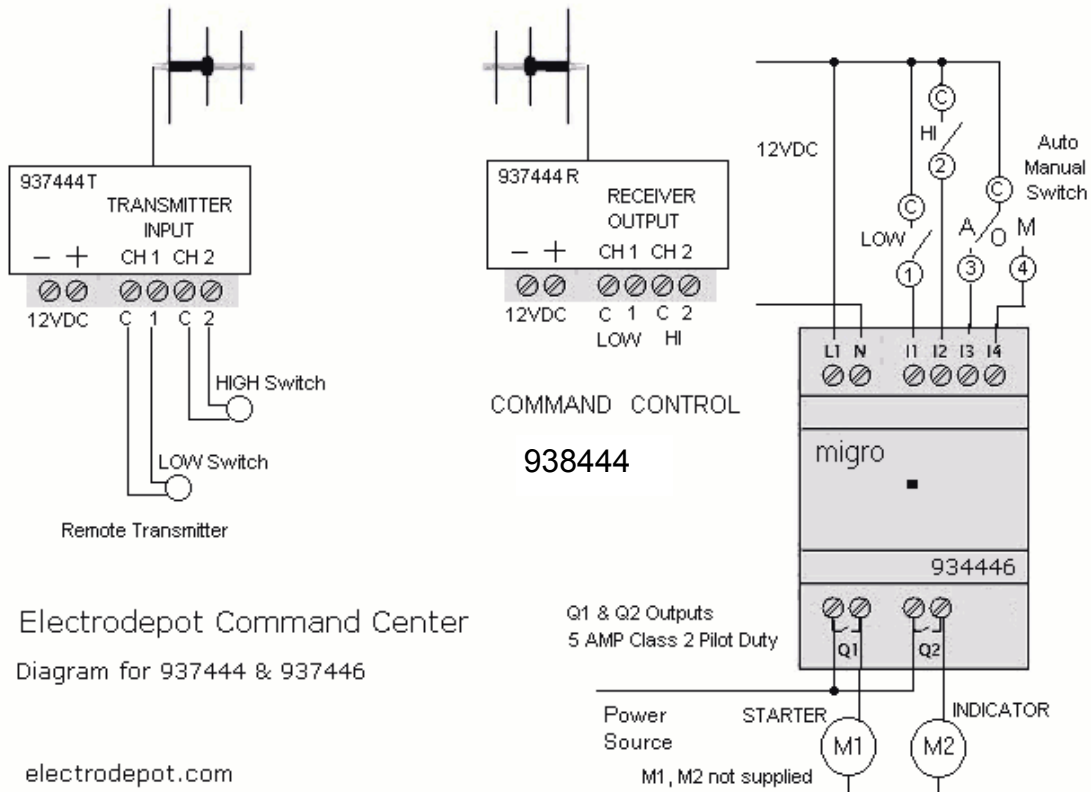
Automatic position: the tank level sensor provides the low or high status to start or stop the pump

Monitoring:

- Blue light indicates the remote pump status
- Red light indicates the tank level is low
- Green light indicates the tank level is high

SPECIFICATIONS:

- Operation FM GFS in 433MHz license free industrial ISM band
- Compliance with FCC CFR part 15.247, Power 15.249 50mV/m @ 3m
- Weatherproof NEMA4 IP65 ABS Plastic enclosure
- Dimensions: each 11.81 x 7.87 x 6.29 in. 299.97 x 199.90 x 159.77 mm
- INPUT: N/O Normally Open, digital dry contact
- OUTPUT: Relay contact 5A N/O 240VAC Class 2 Pilot Duty
- Operating Voltage: 12VDC, • Operating Current: Standby 50 mA, Transmission 400 mA



Electrodepot Command Center

Diagram for 937444 & 937446

electrodepot.com

Migro.com 938444